



Edelstahlmanufaktur GmbH

Am Steinbusch 7
D-48351 Everswinkel

Tel.: +49(0)2582-9960-0
Fax: +49(0)2582-9960-128
www.mwe.de
info@mwe.de

Subject to technical modifications!
Please, also use our technical details!

© MWE Edelstahlmanufaktur GmbH 01.10.2015



Barn door fitting - Set

SB.0001



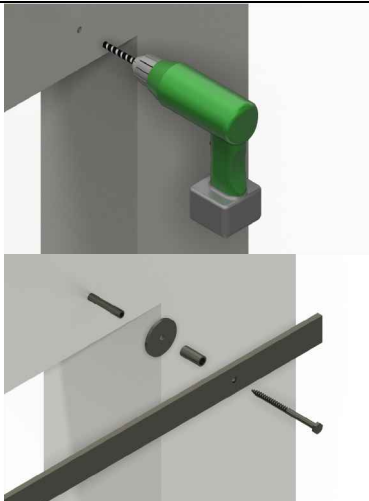


Content

- 2x Roller
- 1x Rail
- 4x Wall fastener
- 2x Stopper
- 1x Floor guide

Required tools

- Power drill
- Masonry drill D = 8 / D = 10
- Spanner (SW13, SW 19)
- crosstip screwdriver
- Tape measure
- Water level



1. Mounting the rail

To calculate the position of the mounting holes, please use:

Door leaf height

- + air gap between floor and door
- + 40 mm

Mark and drill holes using a water level. The rail can be used as a template. Keep in mind that the holes are for dowels. To fasten the rail use the included montage set.



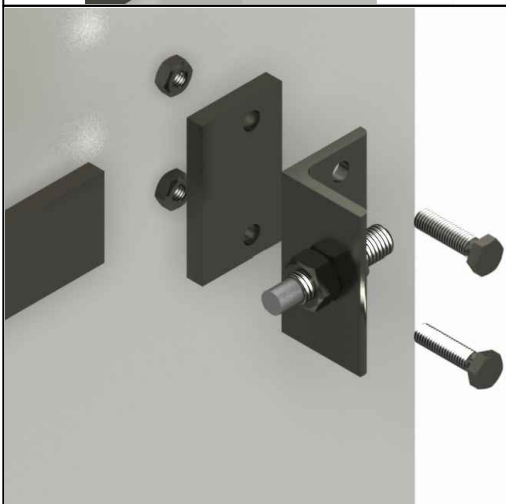
3. Mounting the roller

Dismount the lift-out-stopper, then fasten the roller to the wooden door leaf.



4. Mounting the floor guide

To find the right position for the floor guide, please hang the door in. Then fasten the floor guide to the floor.



2. Mounting the stopper

The stopper is clamped by using the two front hex cap screws on the rail. It can be moved sideways in order to adjust to the correct distance. The fine adjustment can be made by using the stopper bolts thread.



5. Hanging the door and final inspection

Now the door can be safely hooked into the right position and the lift-out-stopper can be mounted. Finally you have to tighten all screws again and to control the stopper positions.