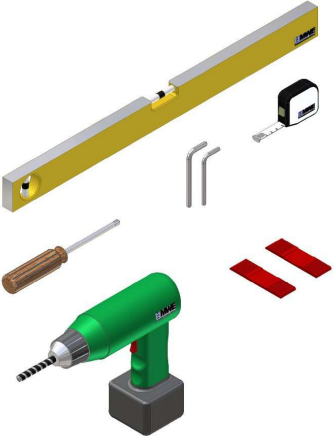
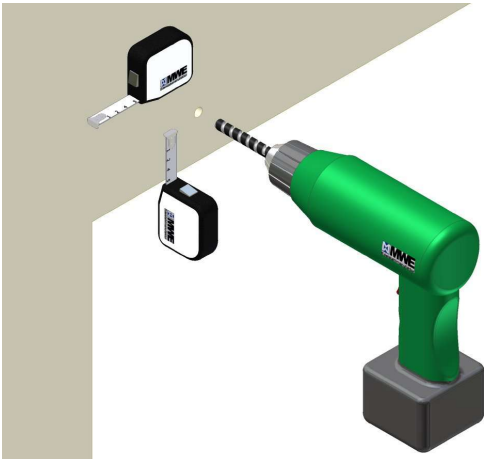
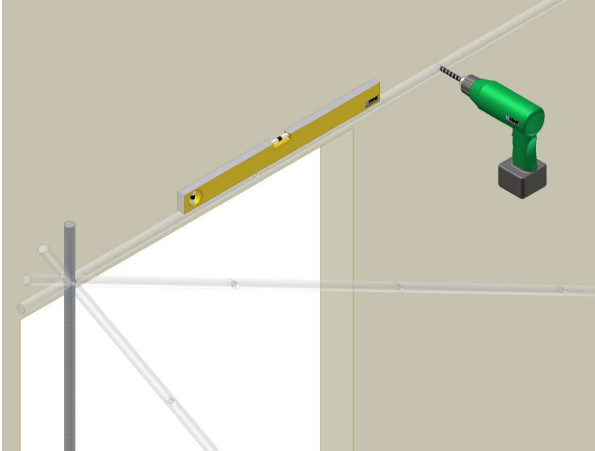


# Installation Manual

## Duplex Synchronous Hardware (ST.1007.DU)


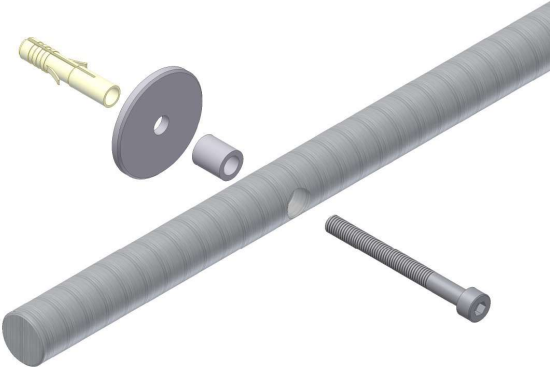

Am Steinbusch 7  
D-48351 Everswinkel  
Tel.: +49(0)2582-9960- 0  
Fax: +49(0)2582-9960-28  
Internet: www.mwe.de

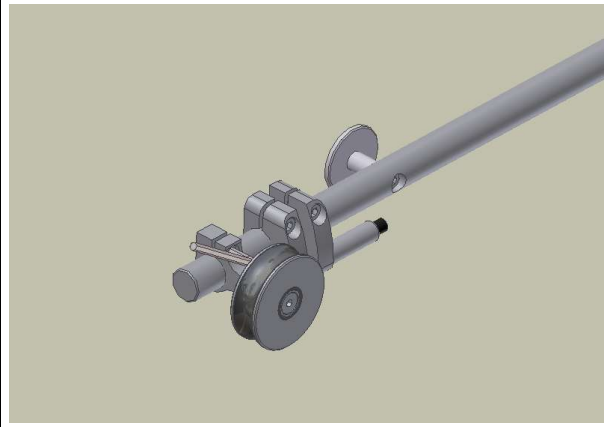
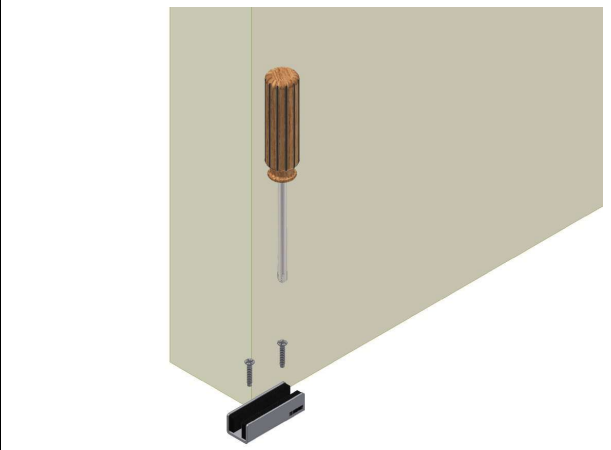
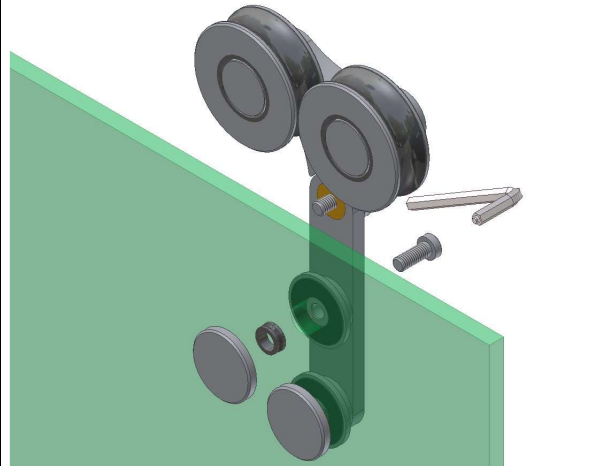
	<h3>Tool</h3> <ul style="list-style-type: none"><li>- water level</li><li>- measuring tape</li><li>- power drill</li><li>- drill, diameter=8mm / diameter=10mm</li><li>- crosstip screwdriver</li><li>- allen key set</li><li>- jaw wrench (size=10 mm)</li><li>- glass pads</li></ul> <p>Please read power drill safety instructions carefully before the installation.</p>
	<h3>1</h3> <h4>First wall drilling</h4> <p>Drill a hole into the wall for the outer rail mount according to your detailed rail template.</p>
	<h3>2</h3> <h4>Further wall drillings</h4> <p>Tighten loosely the outer wall mounts (see step 4). Adjust the rail into horizontal position and align with the water level. Use the rail as your „drilling template“ to pre-drill all necessary holes with a 8 mm drill. Use 10 mm drill to widen the holes to receive screw anchors.</p>

# Installation Manual

## Duplex Synchronous Hardware (ST.1007.DU)

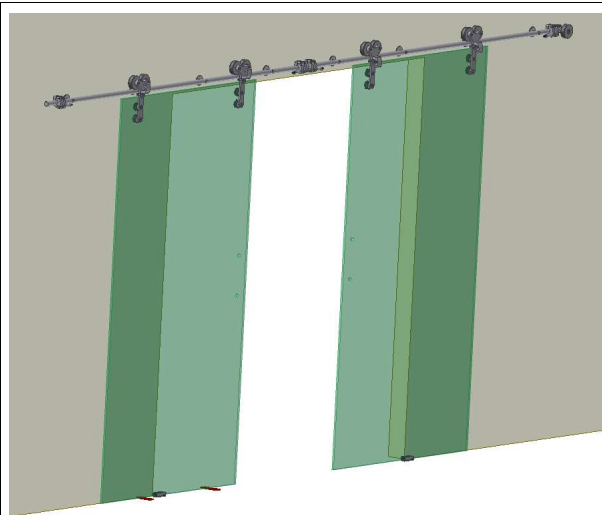
Am Steinbusch 7  
D-48351 Everswinkel  
Tel.: +49(0)2582-9960- 0  
Fax: +49(0)2582-9960-28  
Internet: [www.mwe.de](http://www.mwe.de)

	<p><b>3</b> <b>Installing the center door stops</b></p> <p>Place the center door stops according to the technical drawing. These door stops will stop the doors in the middle.</p>
	<p><b>4</b> <b>Installing the rail</b></p> <p>Install the rail into the wall using the enclosed MWE mounting material.</p>
	<p><b>5</b> <b>Installing the outer stoppers</b></p> <p>Fix the door stops on the left and on the right side of the rail in a way that will prevent the sliding door panel from rolling off the rail.</p>

	<p><b>6</b> <b>Installing the deflection pulley</b></p> <p>Fix the deflection pulleys on the left and on the right side of the rail.</p>
	<p><b>7</b> <b>Installing the floor guide</b></p> <p>Install the floor guide according to your technical drawing using the enclosed MWE installation material. The door panel is supposed to slide in a parallel line to the wall at the given distance.</p>
	<p><b>8</b> <b>Installing the rollers</b></p> <p>Rest the door panel on mounting rests with the hardware facing upwards. Disassemble the roller security bolt and the glass mounts. Attention: the screw joint security bolt and the roller pivot joint do create one unit. Put the washers for the glass mounts on the glass holes. Apply roller shank including mounting bolts and secure from the opposite side by using the glass fastening caps. Attention: Do not lose plastic bushings for the glass mounts.</p>

## Duplex Synchronous Hardware (ST.1007.DU)

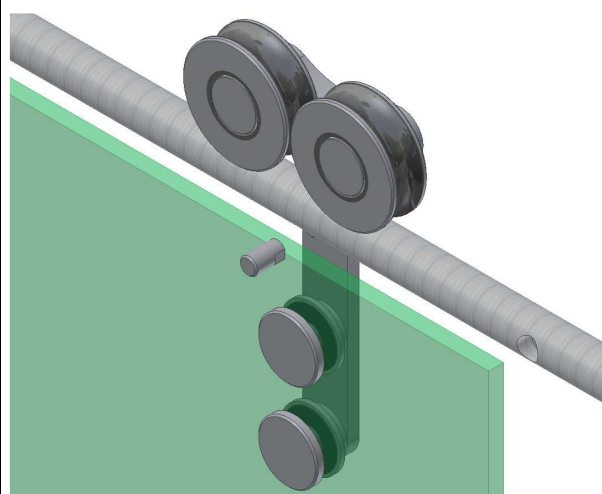
Am Steinbusch 7  
D-48351 Everswinkel  
Tel.: +49(0)2582-9960- 0  
Fax: +49(0)2582-9960-28  
Internet: [www.mwe.de](http://www.mwe.de)



### 9

#### Installing the door panel

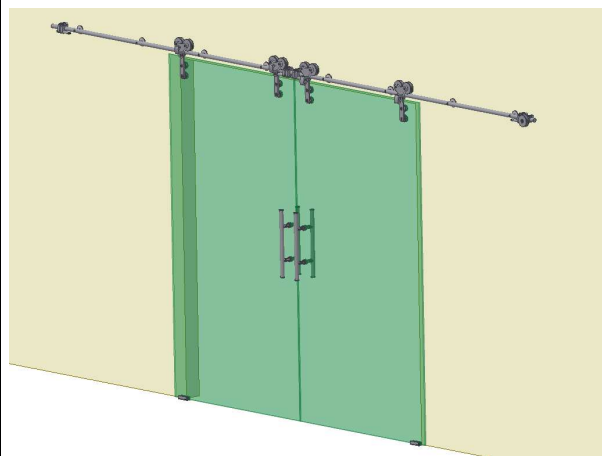
Hang the preassembled door panel on the rail. Put glass pads under the door panel for reasons of safety and in order to adjust the distance to the floor (7 mm). Consider the preassembled floor guide! Remove the glass pads after this step is finished.



### 10

#### Installing the safety bolt

Reassemble the safety bolt to the roller using the jaw wrench (10 mm). Attention: The safety bolt must not drag the rail!



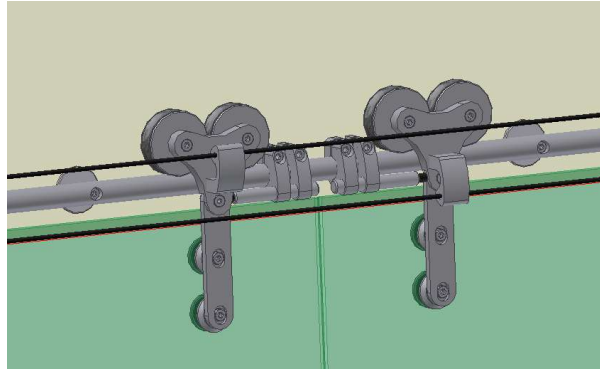
### 11

#### Final control of sliding doors

Check the sliding of the sliding doors and the function of the outer door stops. Tighten all bolts! Install the door handles or door knobs, respectively.

## Duplex Synchronous Hardware (ST.1007.DU)

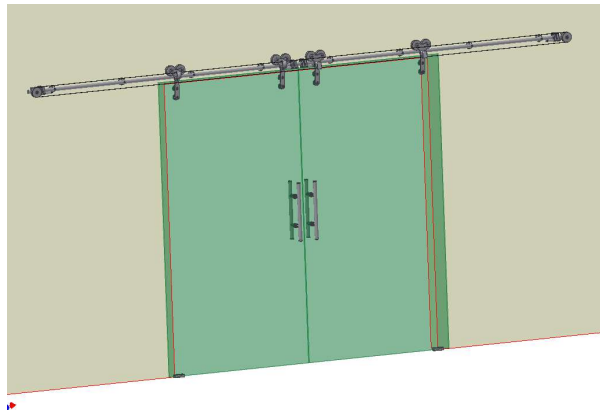
Am Steinbusch 7  
D-48351 Everswinkel  
Tel.: +49(0)2582-9960- 0  
Fax: +49(0)2582-9960-28  
Internet: [www.mwe.de](http://www.mwe.de)



### 12

#### Assembling the steel cable

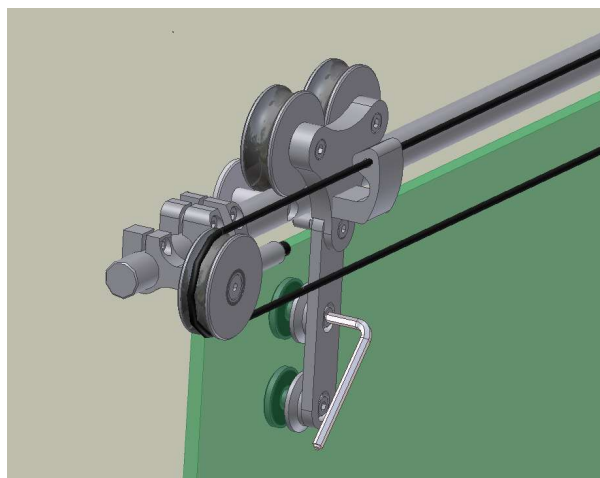
Put one end of the steel cable over the deflection pulley. Pull the steel cable through the UPPER drill holes of the tappets. They put it over the second deflection pulley. Pull the same end of the cable through the LOWER drill holes of the first tappet. Pull the second end of the cable through the LOWER drill holes of the second tappet and afterwards into the drill hole where the first cable comes from. The door panels must fit the center stops. Tighten the steel cable and all screws of the tappets.



### 13

#### Test the functionality

Open one sliding door, the second door should move in the opposite direction simultaneously. Check the position of the door stops. Readjust, if required.



### 14

#### Retightening the screw connection

Retighten all screw connections once the installation is finished!