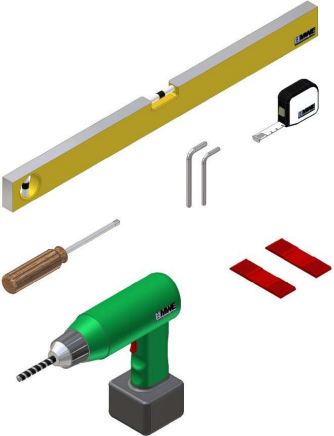
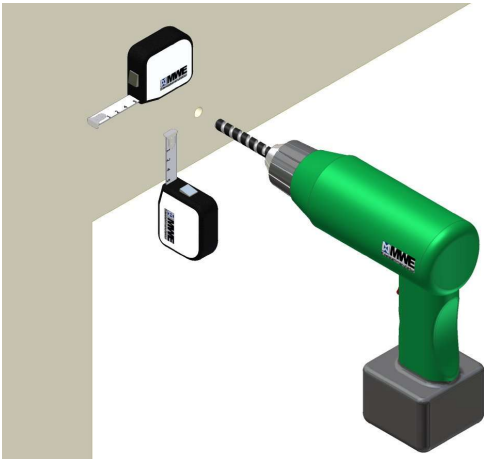
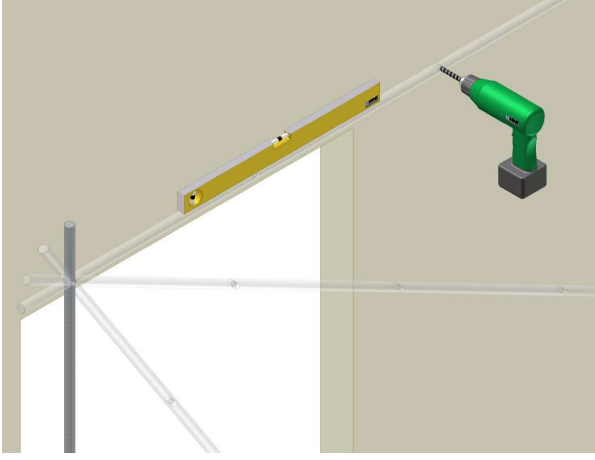

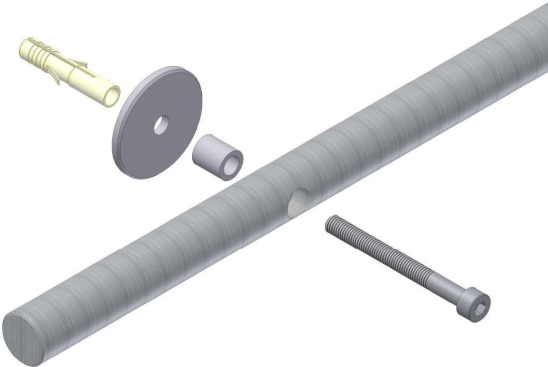



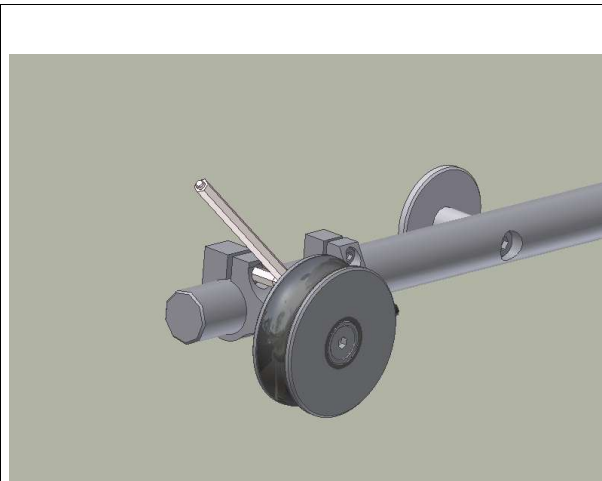
# Installation manual

## System Supra-Synchro (ST.1009.SU)

Am Steinbusch 7  
D-48351 Everswinkel  
Tel.: +49(0)2582-9960- 0  
Fax: +49(0)2582-9960-28  
Internet: [www.mwe.de](http://www.mwe.de)

	<h3>Tools</h3> <ul style="list-style-type: none"><li>- water level</li><li>- measuring tape</li><li>- power drill</li><li>- drill (diameter 1: 8 mm; diameter 2: 10 mm)</li><li>- crosstip screwdriver</li><li>- allen key set</li><li>- jaw wrench (size: 10 mm)</li><li>- glass shims</li></ul> <p>Please read power drill safety instructions carefully before installation.</p>
	<h3>1</h3> <h4>First wall drill</h4> <p>Drill a hole for outer runner rail mount into the wall according to your detailed planning.</p>
	<h3>2</h3> <h4>Further wall drills</h4> <p>Mount loosely outer wall fasteners for runner rail (see step 4). Adjust runner rail into horizontal position by using water level. Use runner rail as your „drilling template“ to drill all necessary fastening holes with 8 mm drill. Use 10 mm drill to widen the holes for anchors.</p>

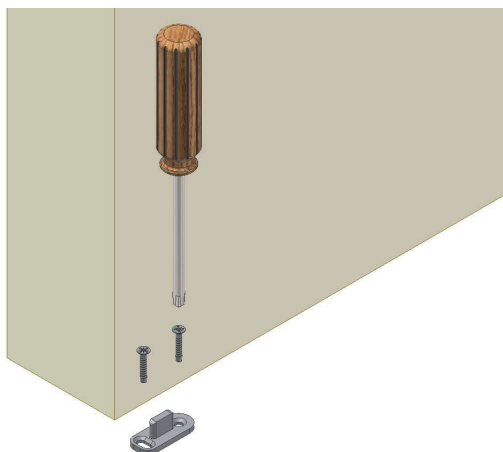
	<p><b>3</b> <b>Mounting the medium stoppers</b></p> <p>Place medium stoppers that will hold closed door leaves later. Adjust stoppers according to the detailed planning.</p>
	<p><b>4</b> <b>Mounting the runner rail</b></p> <p>Mount the runner rail at the wall by using MWE mounting material.</p>
	<p><b>5</b> <b>Mounting the outer stoppers</b></p> <p>Secure door stoppers on the left and on the right side of runner rail in a way that will prevent the sliding door from rolling off the rail.</p>



## 6

### Mounting the deflection pulley

Fix the deflection pulley on the left and on the right side off the runner rail ends.



## 7

### Mounting the floor guide

Install floor guide according to your planning detail using MWE installation material. Door leaf must run in a parallel line to wall in given distance.



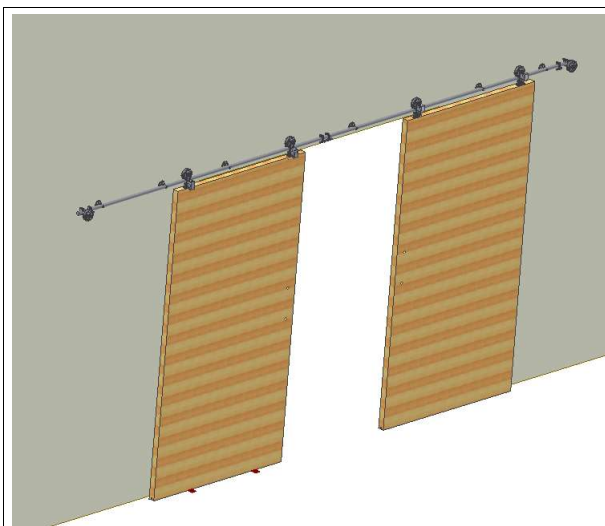
## 8

### Mounting the carriages

Rest Door leaf on mounting rests with the hardware facing upwards. Disassemble roller, security bolt and threaded bushings. Insert threaded bushings into wooden door leaf. Fit roller shank into countersunk position and screw it tightly into the threaded bushings using MWE mounting material. Screw the tappets at one door leaf UPWARD and DOWNWARD at the second door leaf.

## System Supra-Synchro (ST.1009.SU)

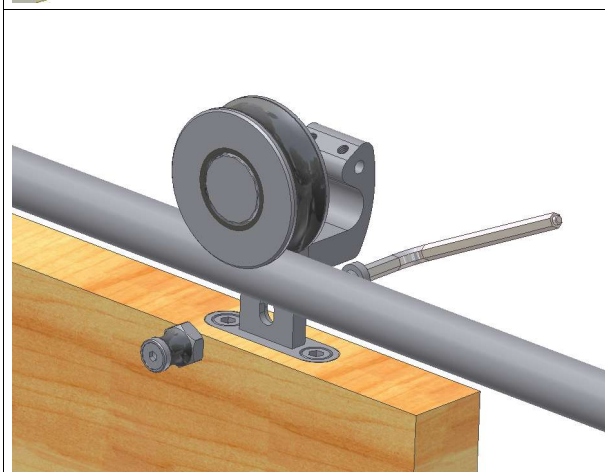
Am Steinbusch 7  
D-48351 Everswinkel  
Tel.: +49(0)2582-9960- 0  
Fax: +49(0)2582-9960-28  
Internet: [www.mwe.de](http://www.mwe.de)



### 9

#### Mounting the door leaves

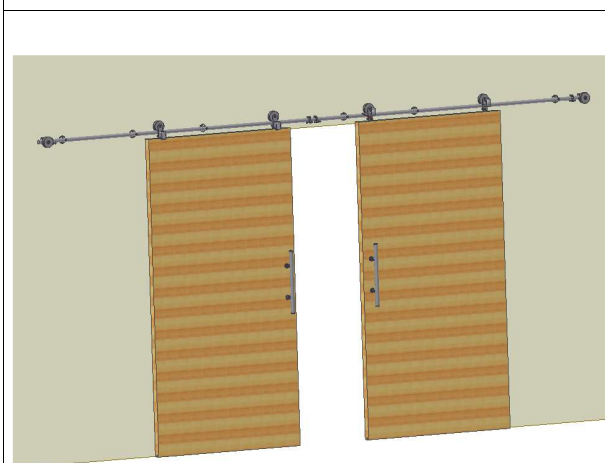
Hang preassembled sliding door onto the runner rail. For safety reasons and for adjustment of floor distance put the glass shims underneath the door leaf. Regard the preassembled floor guide! Glass shims are to be removed afterwards.



### 10

#### Mounting the safety bolt

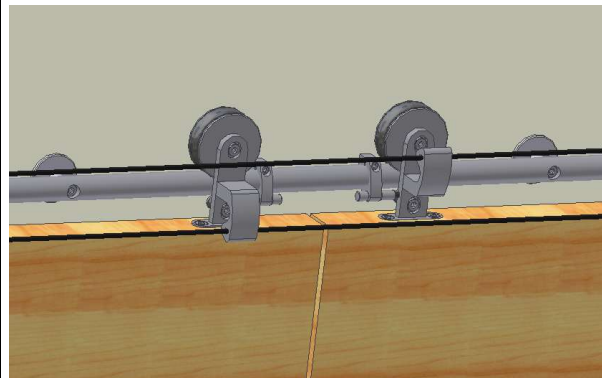
Reassemble safety bolt to the roller using jaw wrench (10 mm). Attention: Do not leave any space between safety bolt and runner rail!



### 11

#### Final control of sliding doors

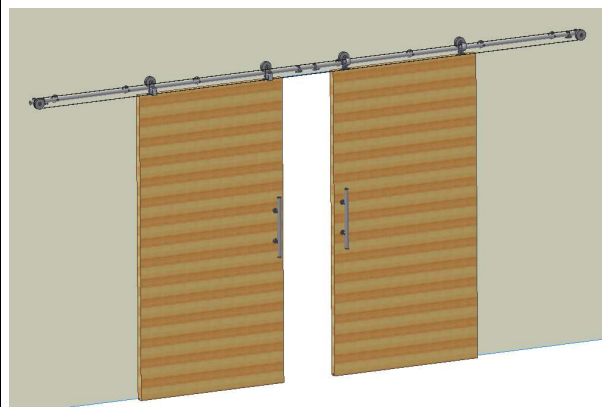
Control smooth movement of sliding doors and function of the outer door stops. Secure stopper bolts tightly! Install door handles or door knobs, respectively.



## 12

### Assembling the steel cable

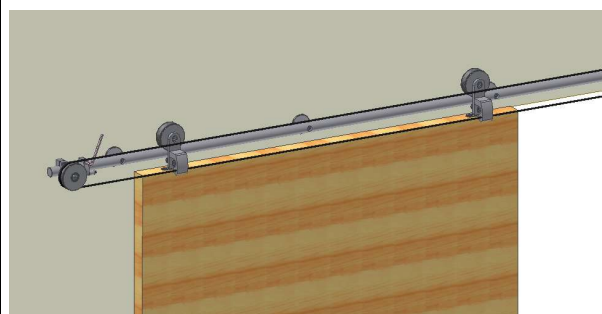
Put one end of the steel cable over the deflection pulley. Pull the steel cable through the UPPER drill holes of the tappets. Put it over the second deflection pulley then. Pull the same end of the cable through the LOWER drill holes of the first tappet. Pull the second end of the cable through the LOWER drill holes of the second tappet and afterwards into the drill hole where the first cable comes from. The door leaves have to fit the medium stoppers. Tighten the steel cable and all screws of the tappets.



## 13

### Test the functionality

Open one sliding door, the second door has to move in opposite direction. Check the stopper positions. Readjust, if required.



## 14

### Retightening the screw connection

**Retighten all screw connections when installation is finished!**