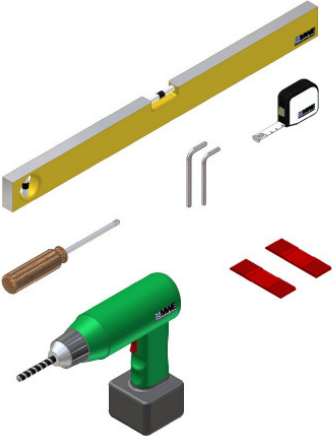
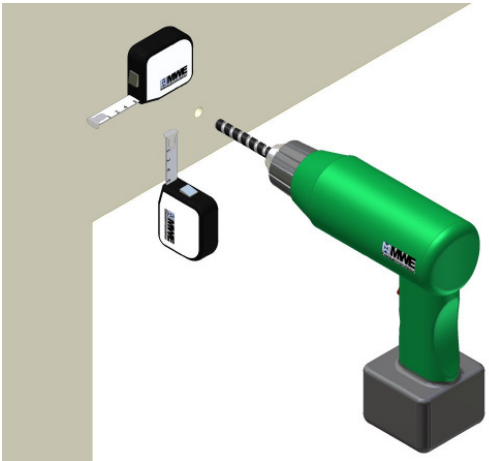
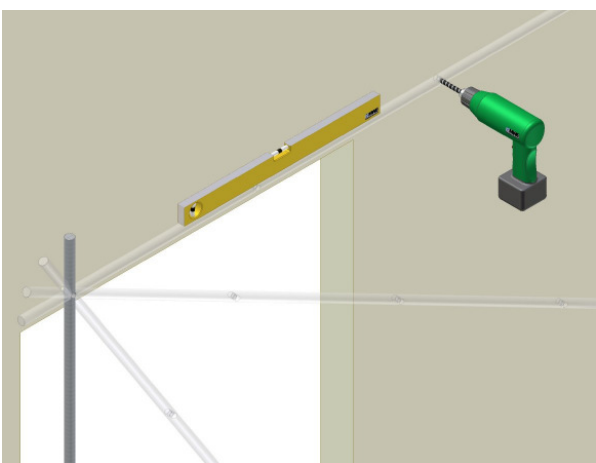


Installation instruction

System Twin (ST.1011.TW)

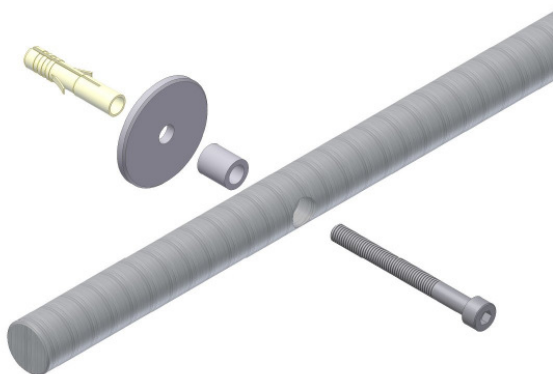
Am Steinbusch 7
D - 48351 Everswinkel
Tel.: +49(0)2582-9960- 0
Tel.: +49(0)2582-9960-128
Internet: www.mwe.de

	<h2>Tools</h2> <ul style="list-style-type: none">- water level- measuring tape / folding ruler- drilling machine- power drill (diameter 1:8 mm; diameter 2:10 mm)- crosstip screwdriver- allen key set- glas shims <p>Please read power drill safety instructions carefully before installation.</p>
	<h2>1</h2> <h3>First Wall Hole</h3> <p>Drill hole for outer runner rail mount into wall according to your planning detail.</p>
	<h2>2</h2> <h3>Further Wall Holes</h3> <p>Mount loosely outer wall fasteners for runner rail (see step 3). Adjust runner rail into horizontal position using water level. Use runner rail as your "drilling template" to drill all necessary fastening holes with 8 mm drill. Use 10 mm drill to widen holes for anchors.</p>

Installation instruction

System Twin (ST.1011.TW)

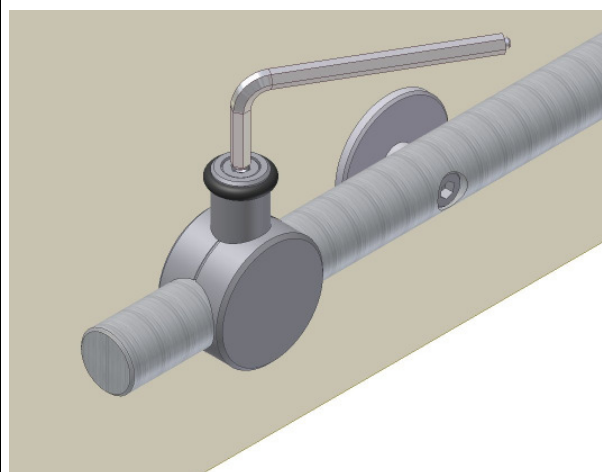
Am Steinbusch 7
D - 48351 Everswinkel
Tel.: +49(0)2582-9960- 0
Tel.: +49(0)2582-9960-128
Internet: www.mwe.de



3

Wall Fastening of Runner Rail

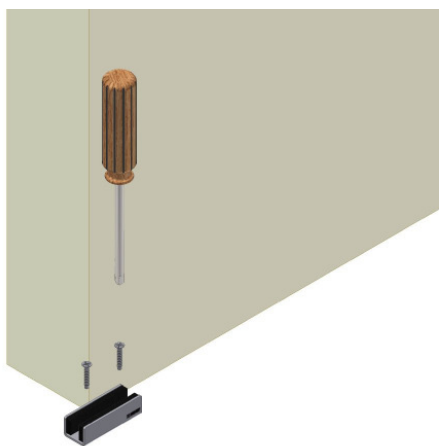
Mount runner rail to wall with MWE mounting material.



4

Installation of Stopper

Secure door stoppers on the left and on the right side of runner rail in a way that will prevent the sliding door from rolling off the rail.



5

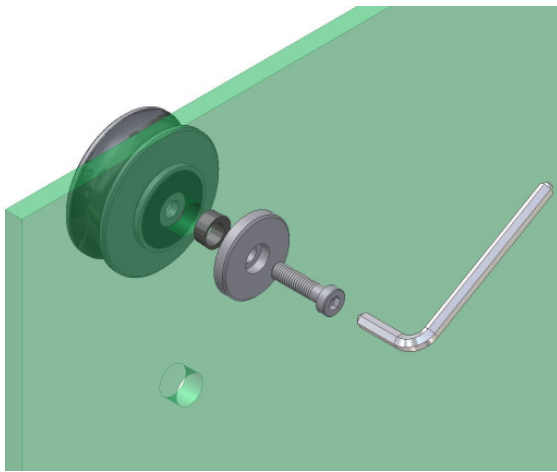
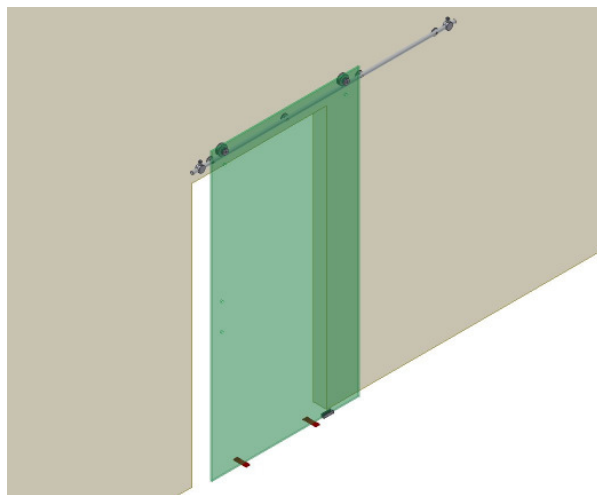
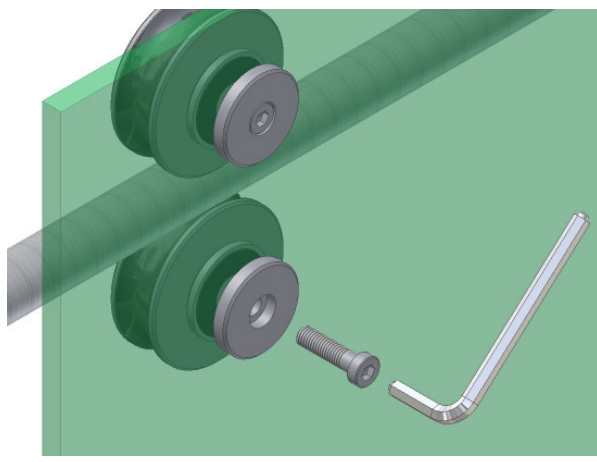
Installation of Floor Guide

Install floor guide according to your planning detail using MWE installation material. Door leaf must run in a parallel line to wall in given distance.

Installation instruction

System Twin (ST.1011.TW)

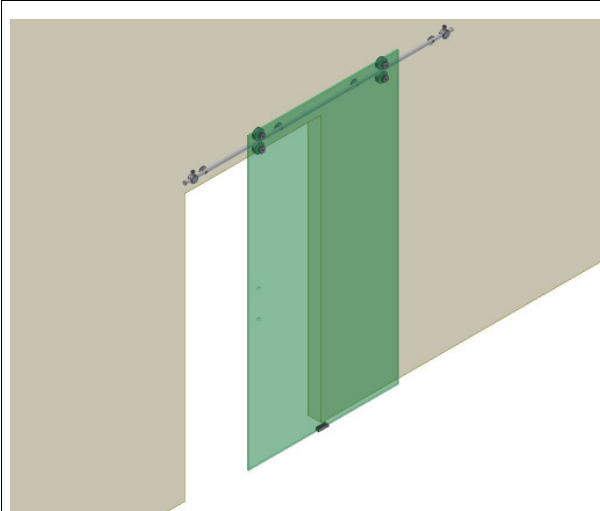
Am Steinbusch 7
D - 48351 Everswinkel
Tel.: +49(0)2582-9960- 0
Tel.: +49(0)2582-9960-128
Internet: www.mwe.de

 A 3D exploded view diagram showing the components for installing an upper roller. It includes a roller wheel, a mounting plate, a screw, a distance ring, and a glass fastener. The roller is shown being positioned on a green surface representing the glass edge.	<p>6 Installation of the Upper Roller</p> <p>Rest door leaf on mounting rests with the hardware facing upwards. Disassemble the glass fastenings of the roller. Afterwards put the distance rings of the glass fastenings onto the glass drillings. Apply roller and secure stably from the opposite side using the glass fastening covers. Attention: Do not lose plastic bushings of glass mounts! Adjust possible drilling geometric tolerances to the upper glass edge. Insert the screws using the security adhesive!</p>
 A 3D perspective diagram showing a sliding door leaf being hung onto a horizontal runner rail. The door leaf is green and the rail is silver. Small red shims are shown at the bottom of the door leaf where it meets the floor.	<p>7 Mounting of Door Leaf</p> <p>Hang preassembled sliding door onto the runner rail. For safety reasons and for adjustment of floor distance (7 mm) put the glass shims on the floor underneath the door leaf. Note preassembled floor guide! Glass shims are to be removed eventually.</p>
 A 3D exploded view diagram showing the installation of a bottom roller. It includes a roller wheel, a mounting plate, a screw, and an eccentric adjustment piece. The roller is shown being positioned on a green surface representing the glass edge.	<p>8 Mounting of Bottom Roller</p> <p>Screw the roller to the glass leaf and justify using the eccentric. See step 6. Attention: Do not leave any space between the bottom roller and runner rail. Insert the screws using the security adhesive!</p>

Installation instruction

System Twin (ST.1011.TW)

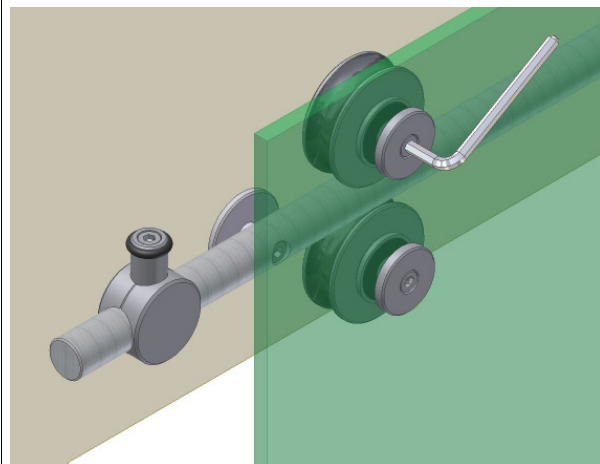
Am Steinbusch 7
D - 48351 Everswinkel
Tel.: +49(0)2582-9960- 0
Tel.: +49(0)2582-9960-128
Internet: www.mwe.de



9

Final Control of Sliding Door

Control smooth movement of sliding door and function of final door stops. Adjust door stops if necessary. Secure stopper bolts tightly! Install door handles or door knobs, respectively.



10

Tightening of Bolts

After completion of installation make sure that every single bolt is once again securely tightened!