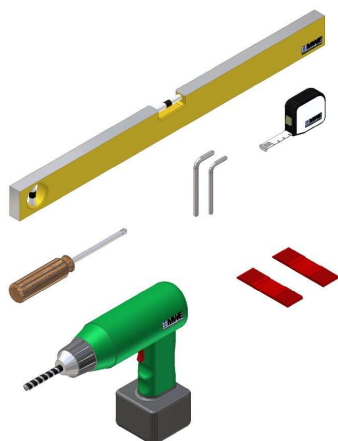


Installation Instruction

System Spider-Synchro (ST.1033.SP)

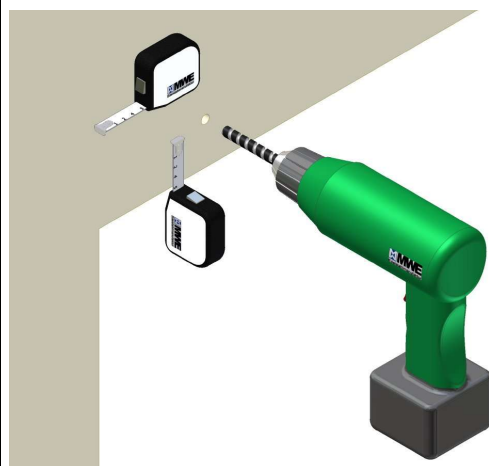
Am Steinbusch 7
D-48351 Everswinkel
Tel.: +49(0)2582-9960- 0
Fax: +49(0)2582-9960-28
Internet: www.mwe.de



Tools

- water level
- measuring tape
- power drill
- drill, diameter=8mm / diameter=10mm
- crosstip screwdriver
- allen key set
- jaw wrench (size=10 mm)
- pads

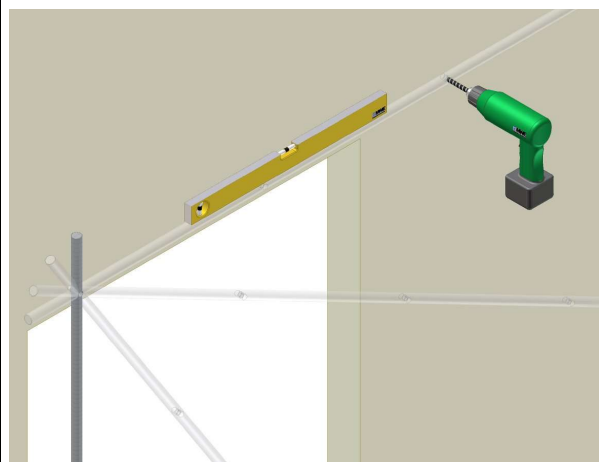
Please read power drill safety instructions carefully before installation.



1

First wall drill

Drill a hole for outer rail mount into the wall according to your rail drawing.



2

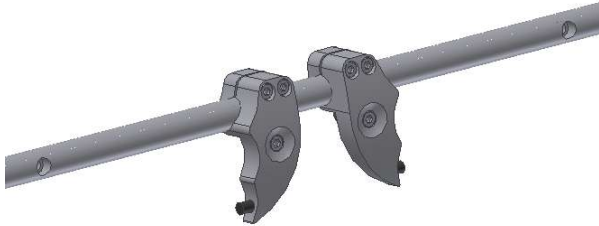
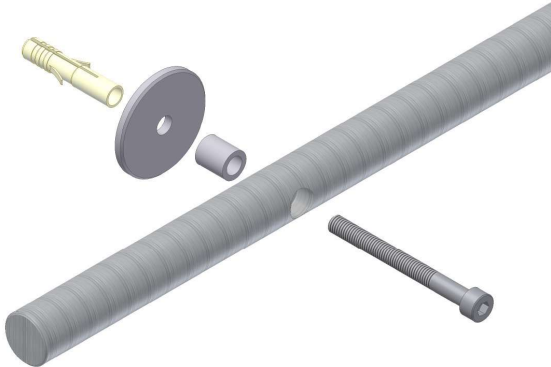
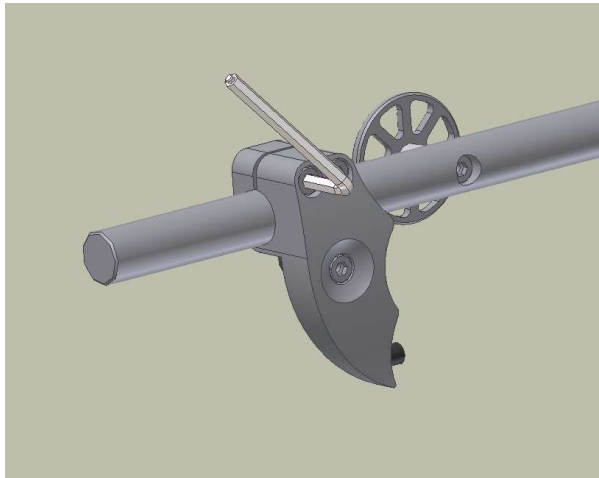
Further wall drills

Mount loosely outer wall fasteners for the rail (see step 4). Adjust the rail into horizontal position by using a water level. Use the rail as a „drilling template“ to drill all necessary fastening holes by a 8 mm drill. Use 10 mm drill to widen the holes for anchors.

Installation Instruction

System Spider-Synchro (ST.1033.SP)

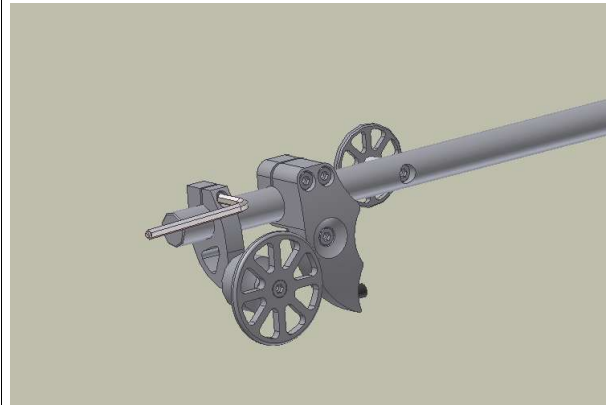
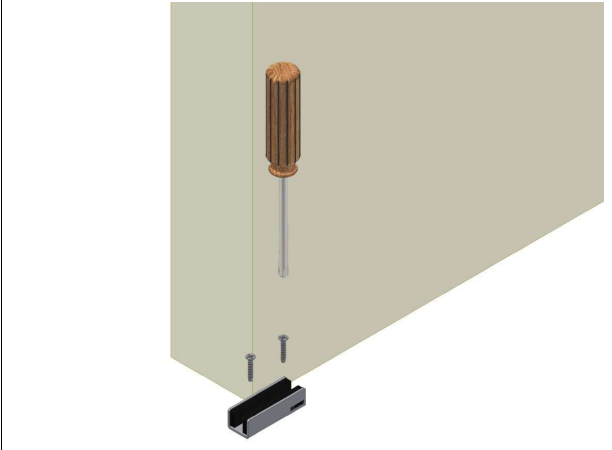
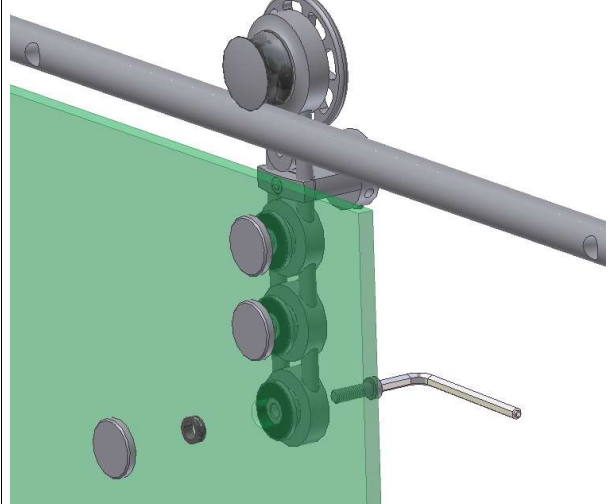
Am Steinbusch 7
D-48351 Everswinkel
Tel.: +49(0)2582-9960- 0
Fax: +49(0)2582-9960-28
Internet: www.mwe.de

	<p>3 Installation of the center door stops</p> <p>Place the center door stops which are supposed to stop the door leaves in the middle. Adjust the stops according to the detailed instruction.</p>
	<p>4 Installation of the rail</p> <p>Mount the rail at the wall by using MWE mounting material.</p>
	<p>5 Installation of the outer door stops</p> <p>Secure door stops on the left and on the right side of the rail in a way that will prevent the sliding door from rolling off the rail.</p>

Installation Instruction

System Spider-Synchro (ST.1033.SP)

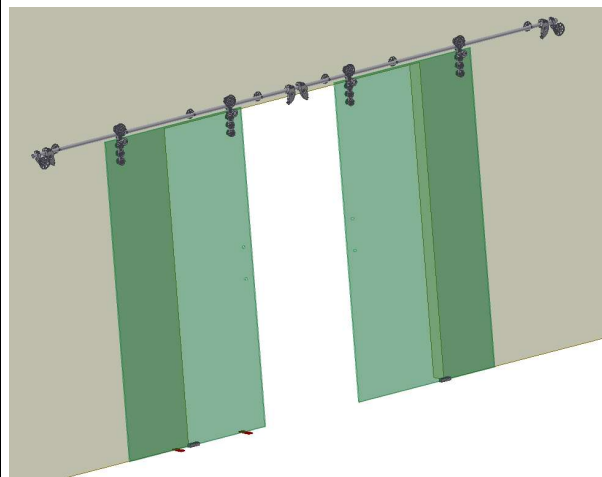
Am Steinbusch 7
D-48351 Everswinkel
Tel.: +49(0)2582-9960- 0
Fax: +49(0)2582-9960-28
Internet: www.mwe.de

	<p>6 Installation of the deflection pulley</p> <p>Fix the deflection pulley on the left and on the right side of the rail ends.</p>
	<p>7 Installation of the floor guide</p> <p>Install floor guide according to your planning details using MWE mounting material. Door leaf has to slide in a parallel line to wall at the specified distance.</p>
	<p>8 Installation of the carriages</p> <p>Rest the door leaf on mounting rests with the hardware facing upwards. Disassemble the roller security bolt and glass attachments. Hold glass mount spacers to holes. Apply roller shank including mounting bolts and secure from the opposite side by using the glass fastening covers. Attention: Do not lose plastic bushings of the glass fasteners.</p>

Installation Instruction

System Spider-Synchro (ST.1033.SP)

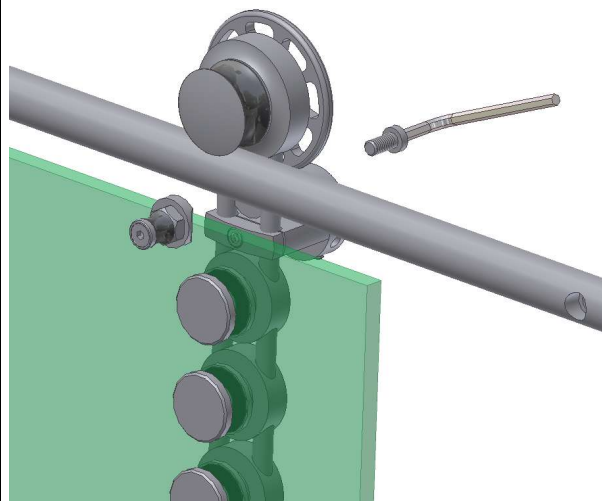
Am Steinbusch 7
D-48351 Everswinkel
Tel.: +49(0)2582-9960- 0
Fax: +49(0)2582-9960-28
Internet: www.mwe.de



9

Installation of the door leaves

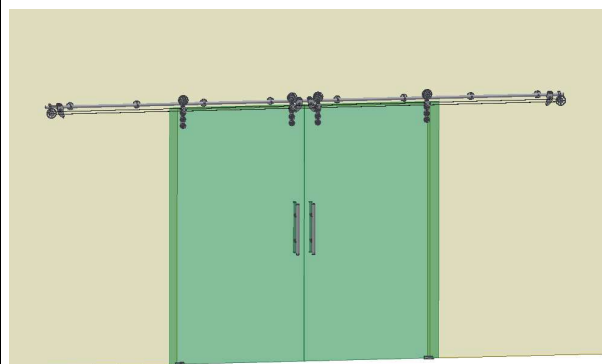
Put the preassembled sliding door onto the rail. For safety reasons and for adjustment of floor distance put the pads underneath the door leaf. Consider the preassembled floor guide! Please remove the pads afterwards.



10

Installation to the safety bolts

Reassemble safety bolt to the roller by using jaw wrench (10 mm). Attention: Do not leave any space between safety bolt and runner rail!



11

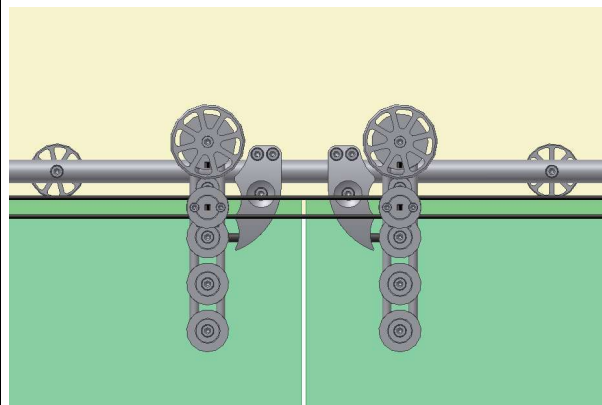
Final control

Control smooth movement of sliding doors and function of the outer door stops. Secure stopper bolts tightly! Install door handles or door knobs, respectively.

Installation Instruction

System Spider-Synchro (ST.1033.SP)

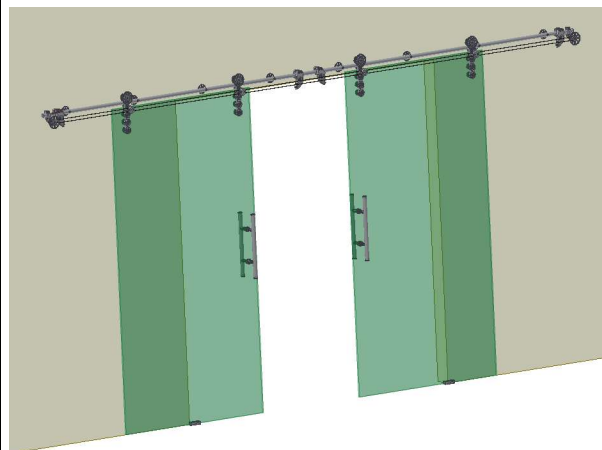
Am Steinbusch 7
D-48351 Everswinkel
Tel.: +49(0)2582-9960- 0
Fax: +49(0)2582-9960-28
Internet: www.mwe.de



12

Assembling the steel cable

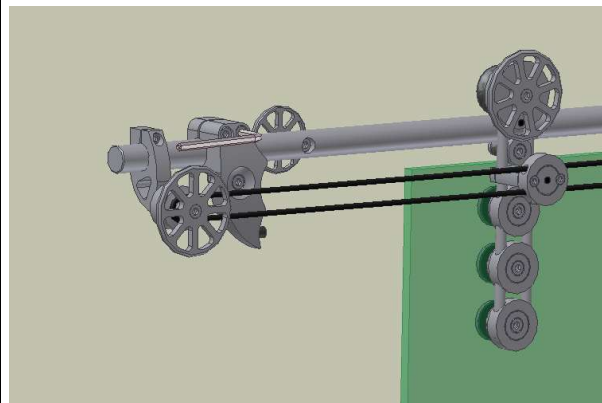
Put one end of the steel cable over the deflection pulley. Pull the steel cable through the UPPER drill holes of the tappets. Put it over the second deflection pulley then. Pull the same end of the cable through the LOWER drill holes of the first tappet. Pull the second end of the cable through the LOWER drill holes of the second tappet and afterwards into the drill hole where the first cable comes from. The door leaves have to fit the medium stoppers. Tighten the steel cable and all screws of the tappets.



13

Test the functionality

Open one sliding door, the second door has to move in opposite direction. Check the stopper positions. Readjust, if required.



14

Retightening the screw connection

Retighten all screw connections once installation is finished!