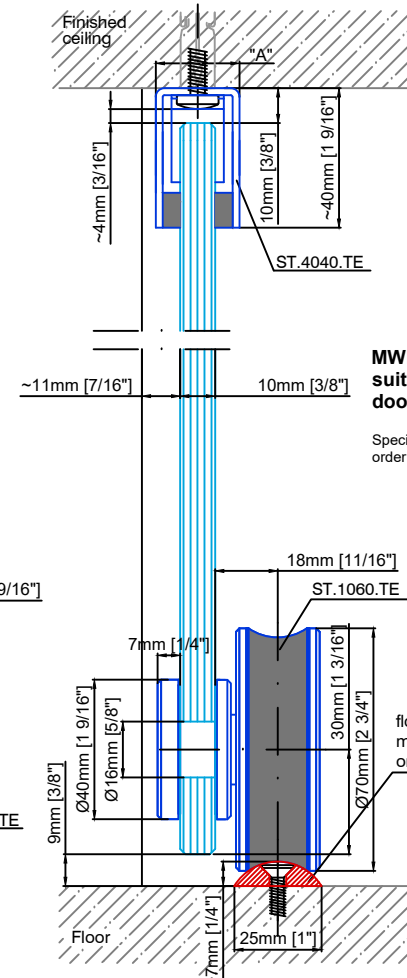
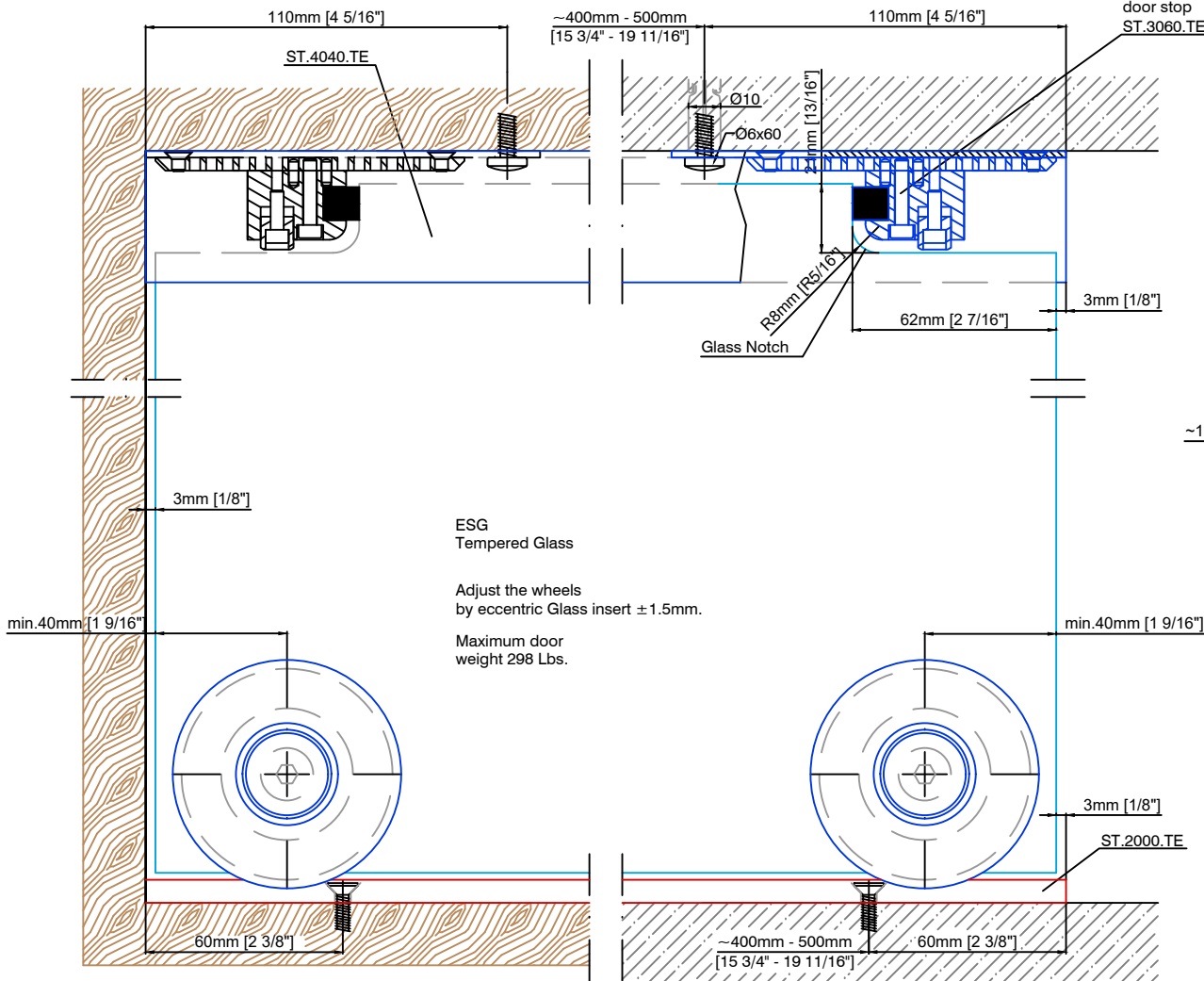


Technical drawings are subject to change without notice.
All millimeter dimensions are exact and supersede inch conversions.

Copyright MWE NA Inc., all rights reserved. Reproduction or other use of these designs without written consent from MWE NA Inc. is prohibited.

| door width | dimension | 8mm Glass | 10mm Glass | 12mm Glass |
|---------------|-----------|-----------|------------|------------|
| 0 - 500mm | A | 23mm | 25mm | 27mm |
| 501 - 1200mm | A | 24mm | 26mm | 28mm |
| 1201 - 2500mm | A | 26mm | 28mm | 30mm |

| | | 5/8" | 10mm | 12mm |
|---------------------|---|--------|--------|---------|
| 0 - 19 11/16" | A | 7/8" | 1" | 1 1/16" |
| 19 3/4" - 47 1/4" | A | 15/16" | 1" | 1 1/8" |
| 47 5/16" - 98 7/16" | A | 1" | 1 1/8" | 1 3/16" |



MWE wheel assemblies are suitable for all US standard door thicknesses!

Specify door thickness on purchase order.

Terra ST.1060.TE

Date Prepared: July 2018

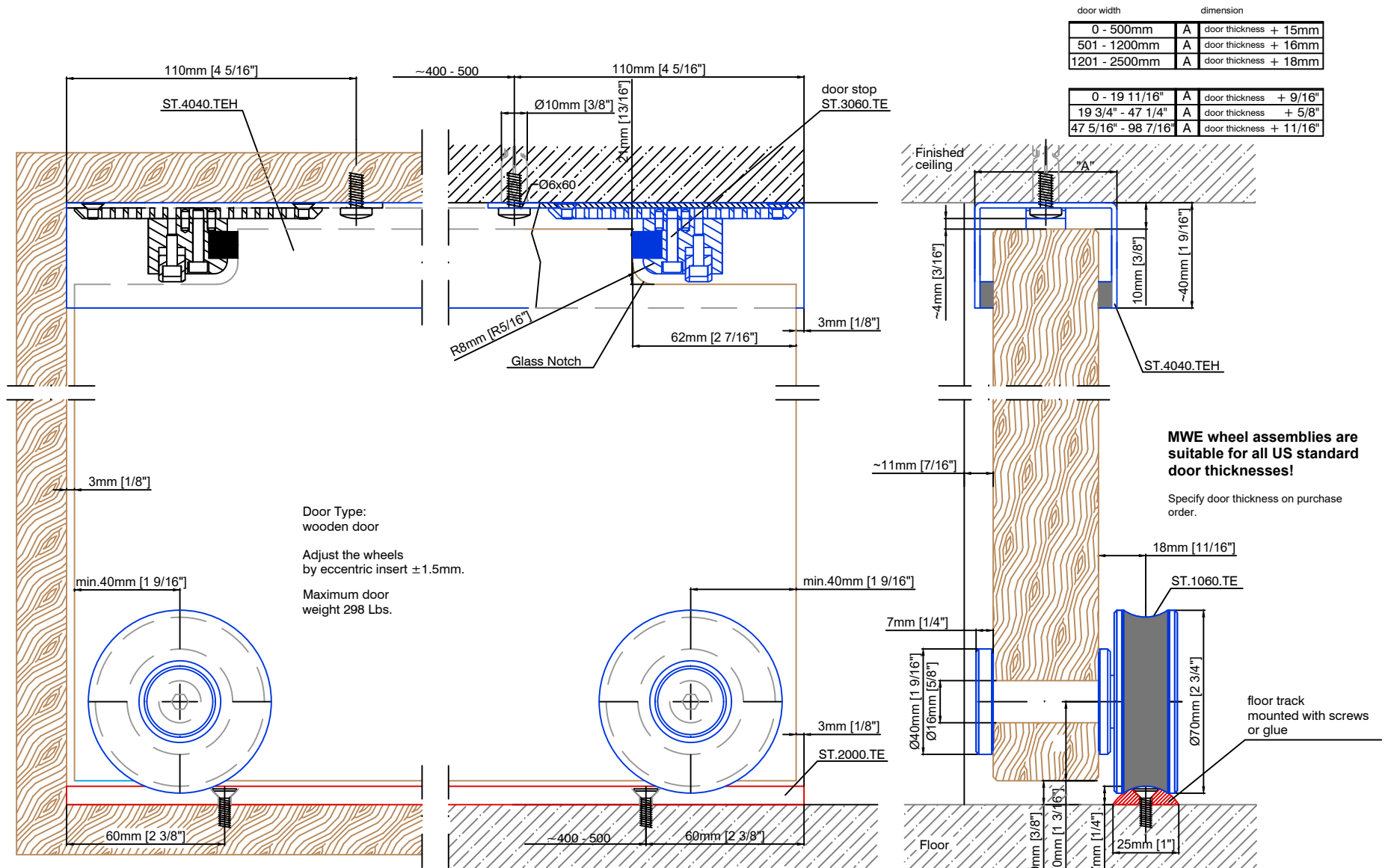
Prepared By: CDA | JRT



Email: info@mwe-na.com
www.mwe-na.com

Technical drawings are subject to change without notice.
 All millimeter dimensions are exact and supersede inch conversions.

Copyright MWE NA Inc., all rights reserved. Reproduction or other use of these designs without written consent from MWE NA Inc. is prohibited.



Terra ST.1060.TE

Date Prepared: July 2018

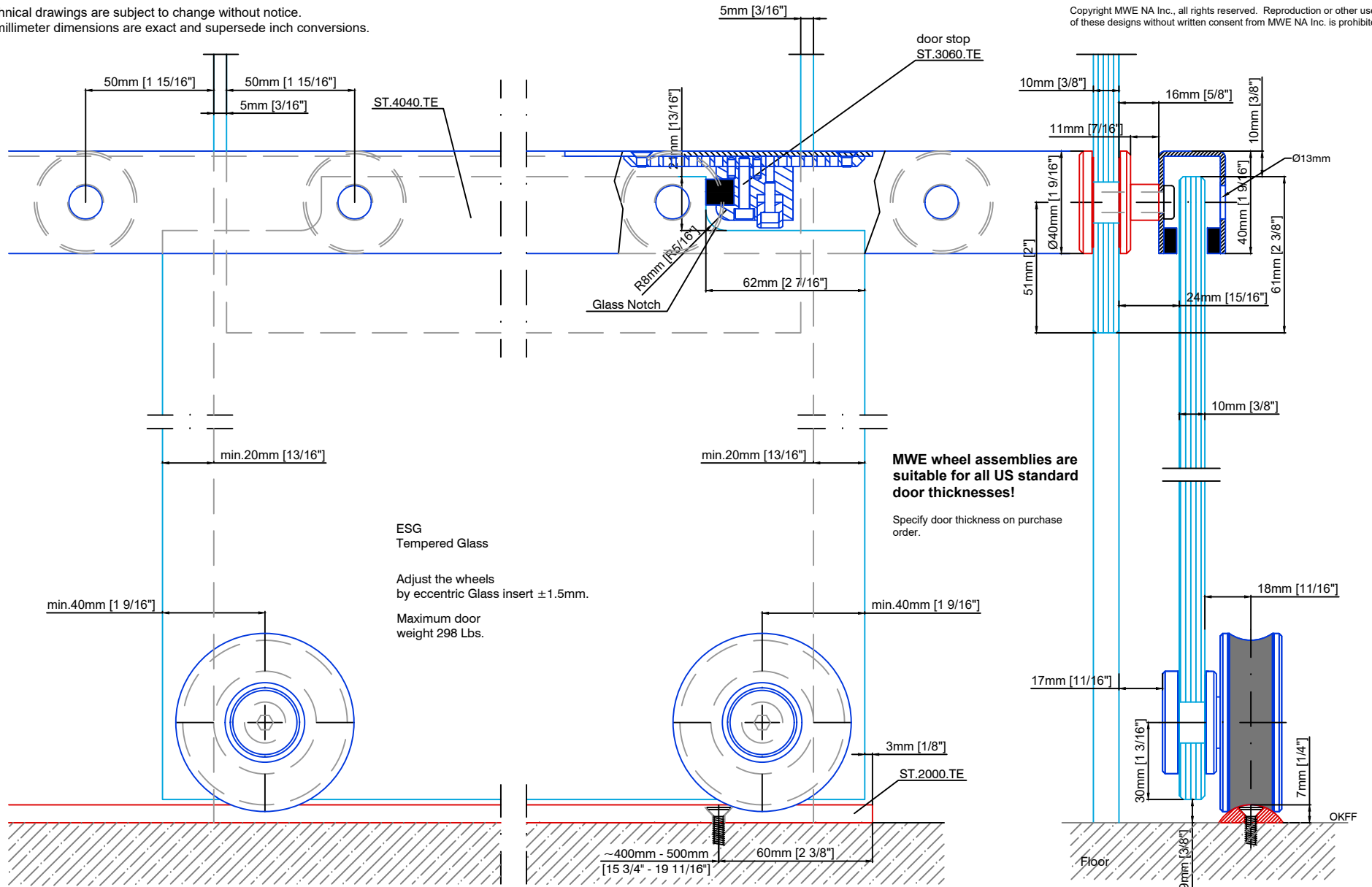
Prepared By: CDA | JRT



Email: info@mwe-na.com
www.mwe-na.com

Technical drawings are subject to change without notice.
All millimeter dimensions are exact and supersede inch conversions.

Copyright MWE NA Inc., all rights reserved. Reproduction or other use of these designs without written consent from MWE NA Inc. is prohibited.



MWE wheel assemblies are suitable for all US standard door thicknesses!
Specify door thickness on purchase order.

ESG Tempered Glass
Adjust the wheels by eccentric Glass insert ±1.5mm.
Maximum door weight 298 Lbs.

| door width | dimension | 8mm Glass | 10mm | 12mm |
|---------------------|-----------|-----------|--------|---------|
| 0 - 500mm | A | 23mm | 25mm | 27mm |
| 501 - 1200mm | A | 24mm | 26mm | 28mm |
| 1201 - 2500mm | A | 26mm | 28mm | 30mm |
| | | 5/16" | 3/8" | 1/2" |
| 0 - 19 11/16" | A | 7/8" | 1" | 1 1/16" |
| 19 3/4" - 47 1/4" | A | 15/16" | 1" | 1 1/8" |
| 47 5/16" - 98 7/16" | A | 1" | 1 1/8" | 1 3/16" |

Terra ST.1060.TE

Date Prepared: July 2018 | Prepared By: CDA | JRT

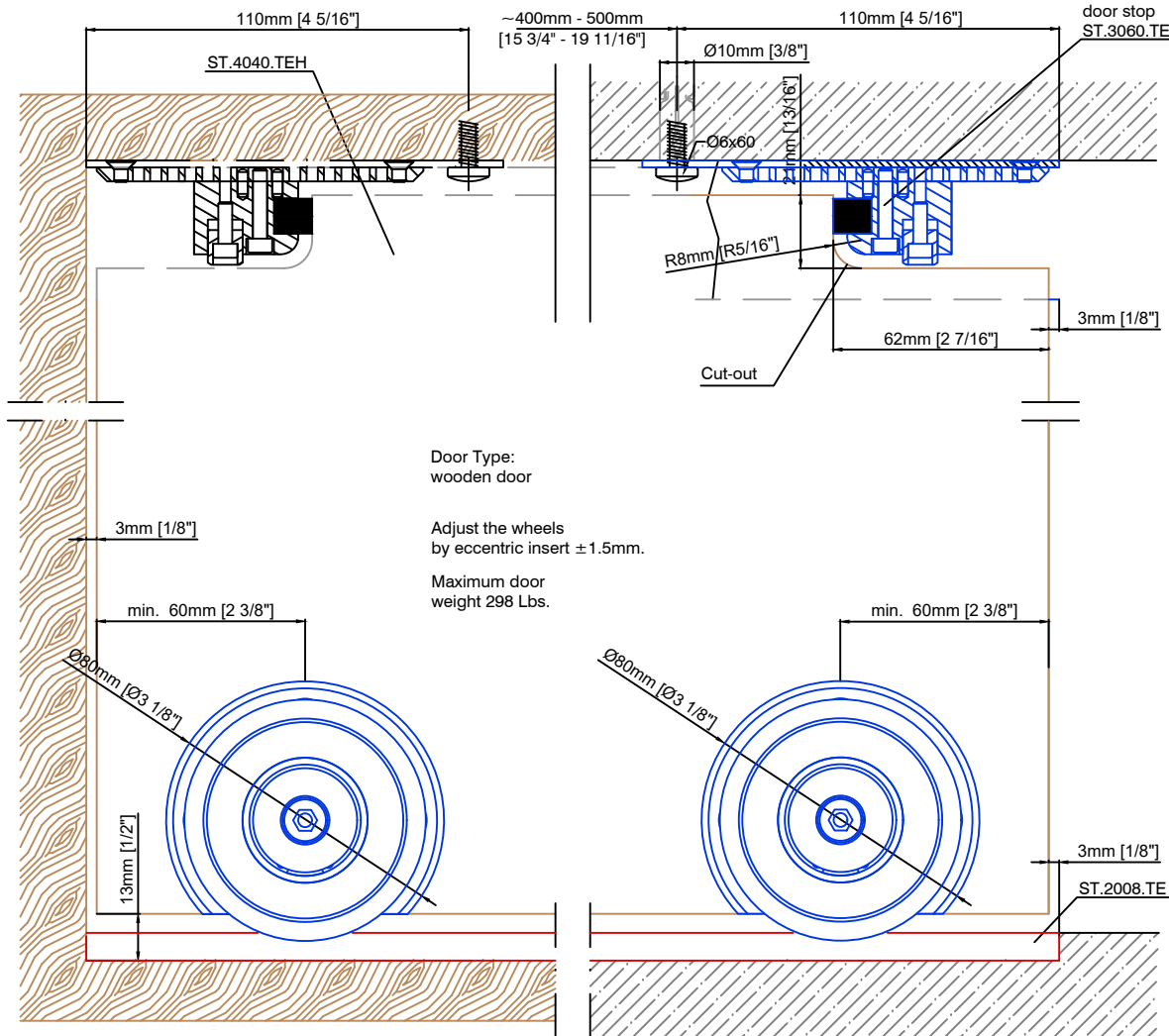
MWE[®]
NORTH AMERICA
Email: info@mwe-na.com
www.mwe-na.com

Technical drawings are subject to change without notice.
 All millimeter dimensions are exact and supersede inch conversions.

Copyright MWE NA Inc., all rights reserved. Reproduction or other use of these designs without written consent from MWE NA Inc. is prohibited.

| door width | dimension | |
|---------------|-----------|-----------------------|
| 0 - 500mm | A | door thickness + 15mm |
| 501 - 1200mm | A | door thickness + 16mm |
| 1201 - 2500mm | A | door thickness + 18mm |

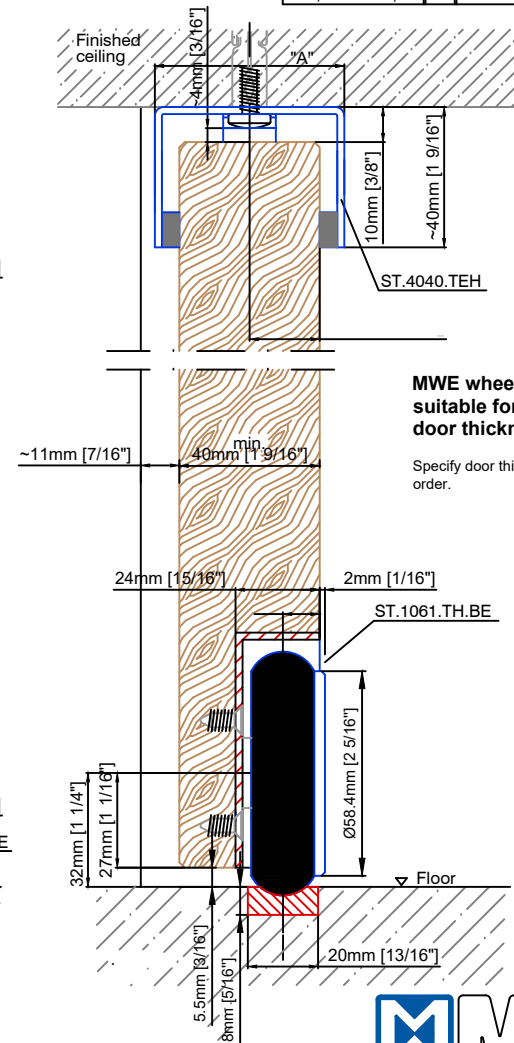
| | | |
|---------------------|---|-------------------------|
| 0 - 19 3/4" | A | door thickness + 9/16" |
| 19 3/4" - 47 1/4" | A | door thickness + 5/8" |
| 47 5/16" - 98 7/16" | A | door thickness + 11/16" |



Door Type:
wooden door

Adjust the wheels
by eccentric insert $\pm 1.5\text{mm}$.

Maximum door
weight 298 Lbs.



MWE wheel assemblies are suitable for all US standard door thicknesses!

Specify door thickness on purchase order.

Terra H ST.1061.TH

Date Prepared: July 2018

Prepared By: CDA | JRT



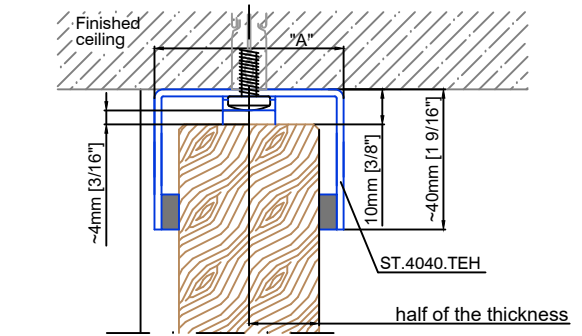
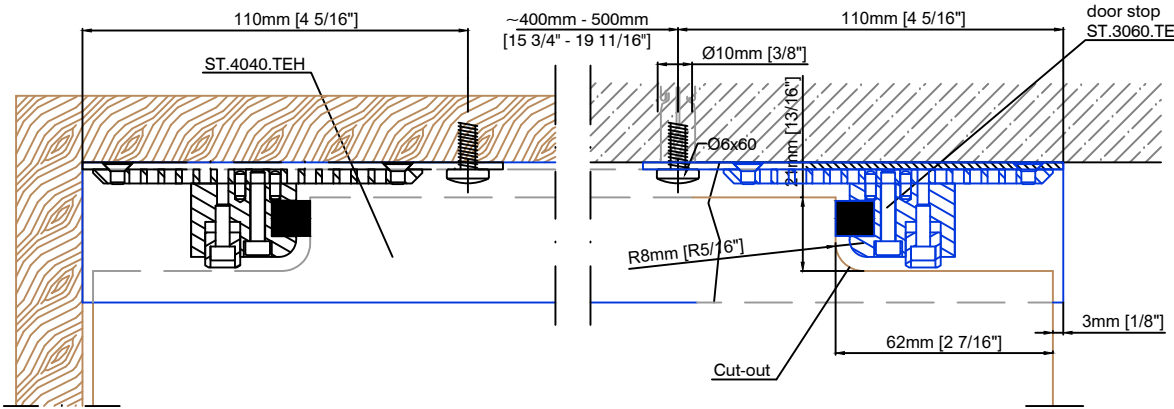
Email: info@mwe-na.com
www.mwe-na.com

Technical drawings are subject to change without notice.
All millimeter dimensions are exact and supersede inch conversions.

Copyright MWE NA Inc., all rights reserved. Reproduction or other use of these designs without written consent from MWE NA Inc. is prohibited.

| door width | dimension |
|---------------|-------------------------|
| 0 - 500mm | A door thickness + 15mm |
| 501 - 1200mm | A door thickness + 16mm |
| 1201 - 2500mm | A door thickness + 18mm |

| | |
|---------------------|---------------------------|
| 0 - 19 11/16" | A door thickness + 9/16" |
| 19 3/4" - 47 1/4" | A door thickness + 5/8" |
| 47 5/16" - 98 7/16" | A door thickness + 11/16" |



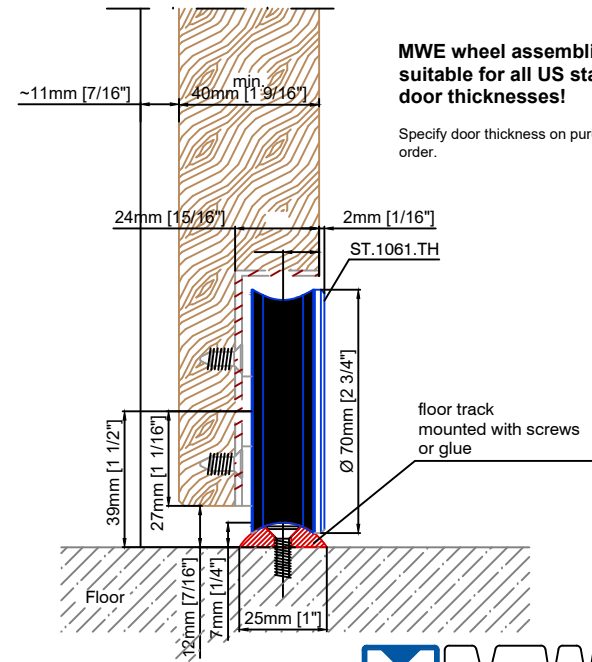
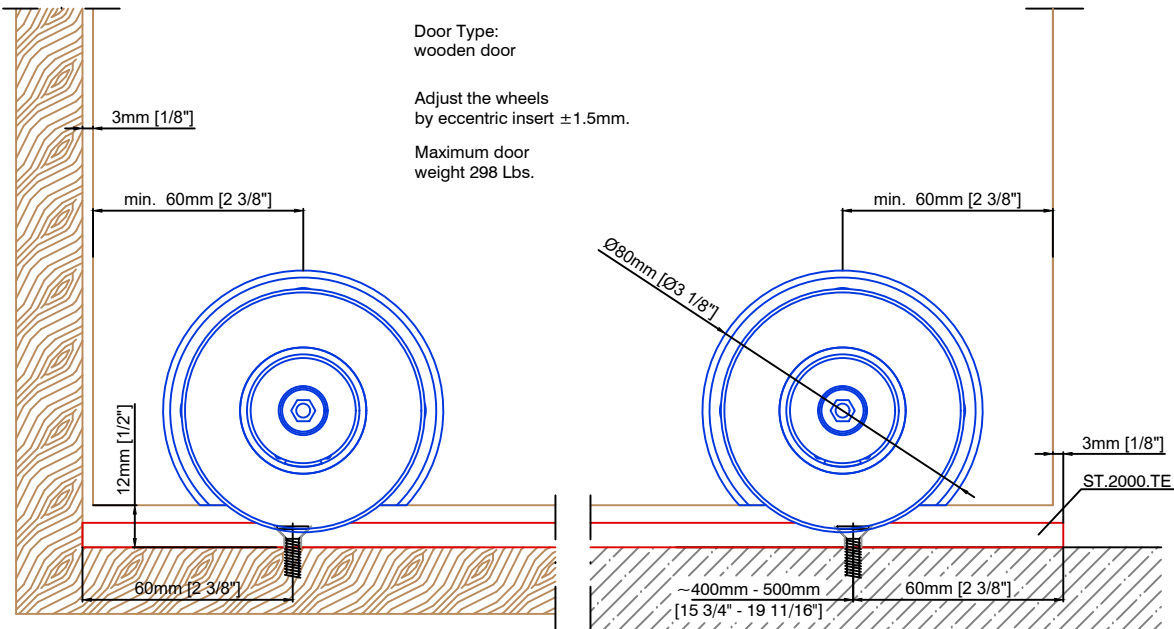
Door Type:
wooden door

Adjust the wheels
by eccentric insert $\pm 1.5\text{mm}$.

Maximum door
weight 298 Lbs.

**MWE wheel assemblies are
suitable for all US standard
door thicknesses!**

Specify door thickness on purchase
order.



Terra H ST.1061.TH

Date Prepared: July 2018

Prepared By: CDA | JRT



Email: info@mwe-na.com
www.mwe-na.com